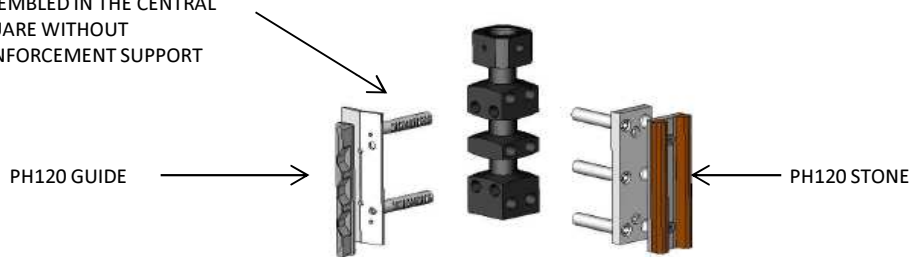




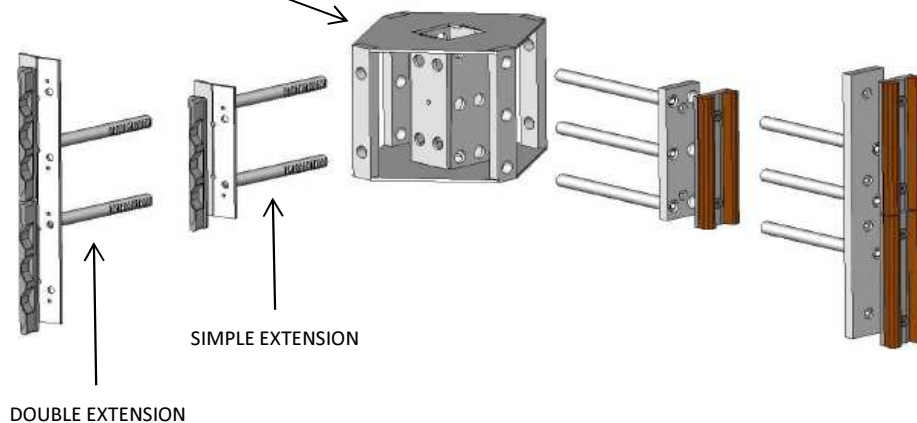
**ACCESORIES CHART FOR H120 SERIES HONING HEAD**

DIAMETER RANGE (mm)	EXTENSION SETS		REINFORCEMENT SUPPORT	ABRASIVE SETS	
	SIMPLE	DOUBLE <sup>1</sup>		SUPPORT	ABRASIVE <sup>2</sup>
120 - 150	HN750	---	---	PH120	XXXXX
150 - 210	HN755	---	GR50	PH120	XXXXX
210 - 270	HN760	HN710	GR55	PH120	XXXXX
270 - 330	HN765	HN715	GR60	PH120	XXXXX
320 - 430	HN770	HN720	GR65	PH120	XXXXX
420 - 530	HN775	HN725	GR70	PH120	XXXXX
520 - 630	HN780	HN730	GR75	PH120	XXXXX
620 - 730	HN785	HN735	GR80	PH120	XXXXX
720 - 830	HN790	HN740	GR85	PH120	XXXXX
820 - 930	---	HN745	GR90	PH120	XXXXX
920 - 1030	---	HN746	GR95	PH120	XXXXX
1020 - 1130	---	HN747	GR96	PH120	XXXXX

HN750 GOES DIRECTLY  
ASSEMBLED IN THE CENTRAL  
SQUARE WITHOUT  
REINFORCEMENT SUPPORT



REINFORCEMENT SUPPORT



1 - The use of double extensions, It is recommended when the length to be honed are longer than 800 mm and the machine has enough power.

2 - See selection chart to select the abrasive more suitable for the work to be done